

FURUNO®

MARINE VHF RADIOTELEPHONE

Model FM-2710

*Light weight
Waterproof
25 W of transmit power
Economical*



The future today with FURUNO's electronics technology.

FURUNO ELECTRIC CO., LTD.

9-52 Ashihara-cho, Nishinomiya City, Japan Telephone: +81 (798) 65-2111
Telex: 5644-325, Telefax: +81 (798) 65-4200, 66-4622, 66-4623

Catalogue No. V-26

TRADE MARK REGISTERED
MARCA REGISTRADA

- Economical high-quality, 25 W marine VHF radiotelephone
- Compact waterproof housing
- All International and US Marine VHF channels
- 10 Weather channels

- Instant Channel 16
- Dual watch for continuous monitoring of Channel 16 while listening to any other channel
- NOAA Weather Alert
- Transmit Time Out Timer

The FURUNO FM-2710 is a high-performance, 25 Watt marine VHF radiotelephone designed to meet the boaters stringent demands for reliable radio communications such as solid performance, low cost, easy operation, waterproof housing, etc. The new, compact, stylish and waterproof housing allows flexible installation in your cockpit and flybridge.

The FM-2710 provides easy access to all U.S. and International VHF channels. Channel selection is easily made by using the dedicated buttons or the rotary channel selector. Frequently used channels can be memorized for quick access. Access to Channel 16 is also made simply by pressing the dedicated button. The FM-2710 has a Dual Watch facility for the continuous monitoring of Channel 16 while listening to another channel.

SPECIFICATIONS OF FM-2710

GENERAL

- | | |
|--------------------------------|--|
| 1. Number of Channels | 53 (TX),
93 (RX, including 10 weather channels) |
| 2. Channel Mode | All U.S., International and Weather channels |
| 3. Communication System | Simplex or Semi-duplex |

- | | |
|---------------------------|-------|
| 4. Intermodulation | 68 dB |
| 5. AF Output | 3 W |
| 6. FM Hum/Noise | 40 dB |

TRANSMITTER

- | | |
|-------------------------------|------------------------|
| 1. TX Frequency | 156.025 to 157.425 MHz |
| 2. RF Output Power | 25 W (high), 1 W (low) |
| 3. Frequency Stability | ±1.5 kHz |
| 4. Frequency Deviation | ±5 kHz |
| 5. Time-Out-Timer | 5 minutes |

ENVIRONMENT (Transceiver unit)

- | | |
|----------------|-----------------------------------|
| Temperature: | -20°C to +50°C |
| Waterproofing: | IPX5 (IEC 60529)
CFR-46 (USCG) |

RECEIVER

- | | |
|------------------------|------------------------|
| 1. RX Frequency | 156.025 to 163.275 MHz |
| 2. Sensitivity | -4.5 dBμ (20 dB SINAD) |
| 3. Selectivity | 70 dB |

POWER SUPPLY

13.8 VDC, 5.0 A (TX), 1.0 A (RX), 0.15 A (Standby)

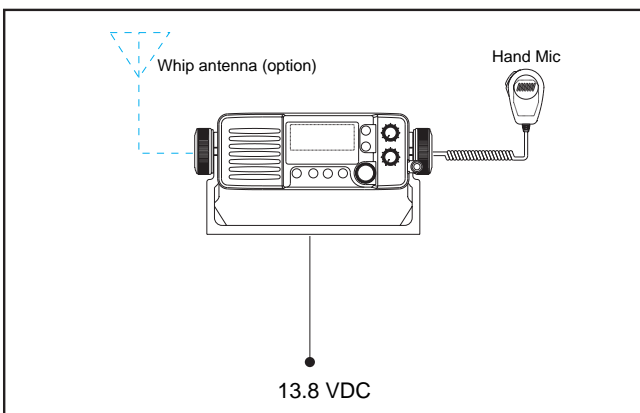
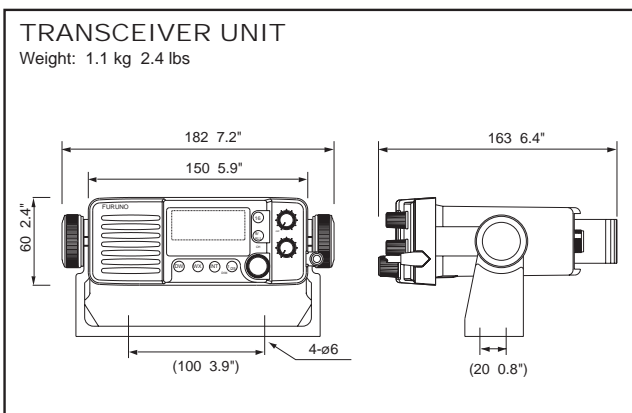
EQUIPMENT LIST

Standard

- | | |
|---|--------|
| 1. Transceiver Unit with Hand Microphone | 1 unit |
| 2. Installation Materials and Spare Parts | 1 unit |

Option

- | | |
|-----------------|--|
| 1. Whip antenna | |
|-----------------|--|



SPECIFICATIONS SUBJECT TO CHANGE WITHOUT NOTICE

FURUNO U.S.A., INC.

Camas, Washington, U.S.A.
Phone: +1 360-834-9300 Telefax: +1 360-834-9400

FURUNO (UK) LIMITED

Denmead, Hampshire, U.K.
Phone: +44 1705-230303 Telefax: +44 1705-230101

FURUNO FRANCE S.A.

Le Plessis Robinson, France
Phone: +33 1-46 29 94 29 Telefax: +33 1-40 94 08 45

FURUNO ESPANA S.A.

Madrid, Spain
Phone: +34 1-435-95-20 Telefax: +34 1-431-30-82

FURUNO DANMARK AS

Hvidovre, Denmark
Phone: +45 36 77 45 00 Telefax: +45 36 77 45 01

FURUNO NORGE A/S

Alesund, Norway
Phone: +47 70 102950 Telefax: +47 70 127021

FURUNO SVERIGE AB

Västra Frölunda, Sweden
Phone: +46 31-7098940 Telefax: +46 31-497093

FURUNO SUOMI OY

Helsinki, Finland
Phone: +358 9 317277 Telefax: +358 9 3412930

9805XXXT Printed in Japan

